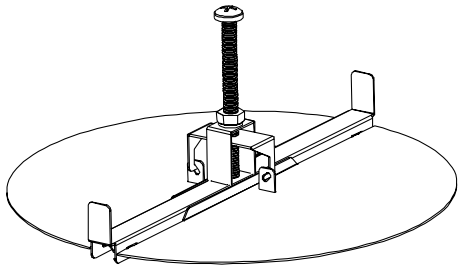


Commercial Submittal

Stainless Steel Round Butterfly Damper

MODEL: BD-SS

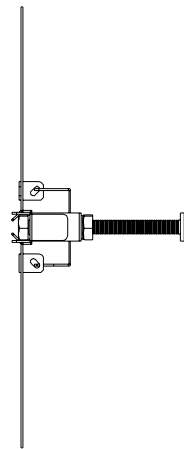
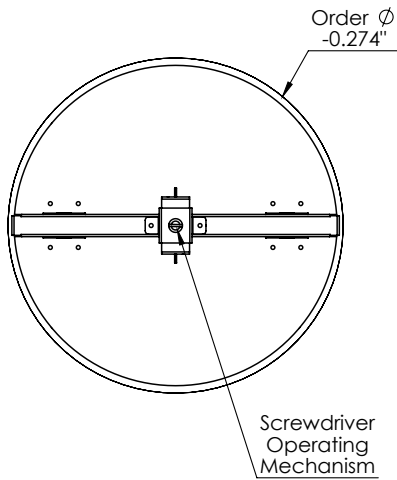


Standard Features:

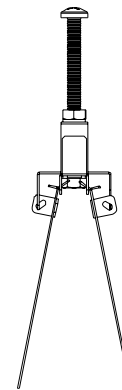
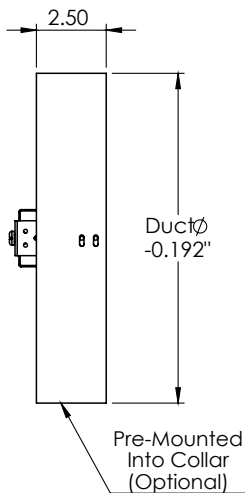
- Type 304 stainless steel
- Field installable butterfly damper
- Screwdriver operated damper
- Available in sizes 5", 6", 7", 8", 10", 12", 14", 16", & 18"
- Compatible with most Shoemaker Critical Environment products
- Mill finish

Options:

- Type 316 stainless steel
- Inserted into standard 2 1/2" round collar



BD-SS SIDE VIEW CLOSED



BD-SS SIDE VIEW OPEN

Additional Information:

Submittal Notes

Project / Location:	
Engineer:	
Architect:	
Contractor:	