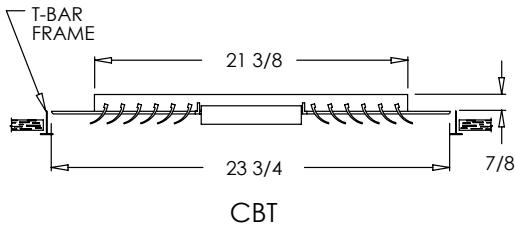


**Standard Features:**

- Adjustable curved blade diffuser
- Five air patterns available
- Extruded aluminum frame with signature line marks
- Nylon bushings on adjustable blades prevent metal on metal rattle
- Square collar designed for 22" x 22" duct
- Rust resistant pre-coat with durable powder finish
- Soft White

**Options:**

- Recessed screwdriver operated Opposed Blade Damper (CBT-0)
- 2" ADC compliant round collar with bead for ease of installation
- Premium 3" round collar with bead (CB-T-3in)
- 1 x 1 T-Bar (10" x 10" duct)
- 1 x 2 T-Bar (10" x 22" duct)
- 2 x 4 T-Bar (22" x 46" duct)



**Air Pattern Options:**

- CBT-10A – One Way
- CBT-20A – Two Way
- CBT-20D – Two Way Corner
- CBT-30A – Three Way
- CBT-40A – Four way

**Finishes:**

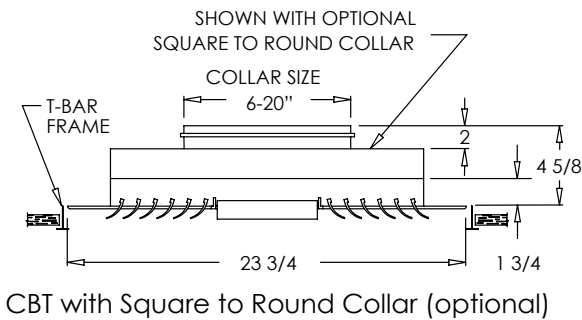
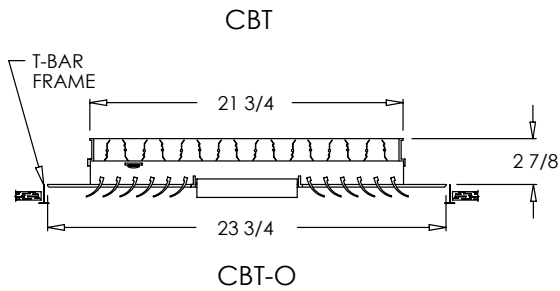
STANDARD COLORS

- Soft White
- Driftwood Tan

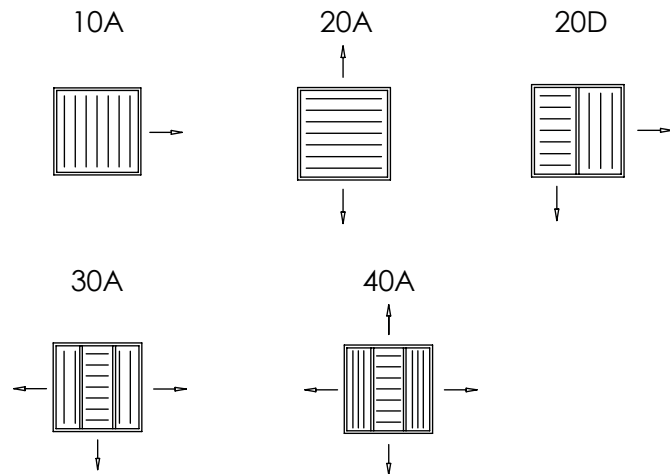
DESIGNER COLORS

- Black
- Bronze
- Storm Gray
- Cement Gray

- Aluminum Paint
- Coffee Tan
- Warm White
- Glossy White



**Air Patterns:**



**Additional Information:**

Submittal Notes

Project / Location:	
Engineer:	
Architect:	
Contractor:	