

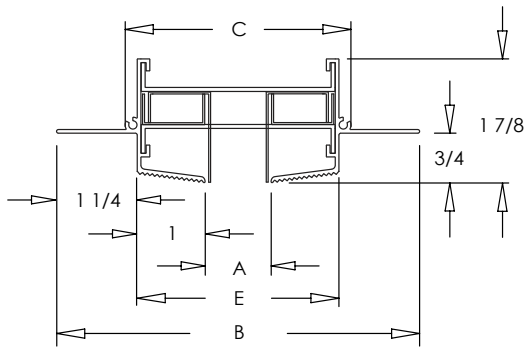
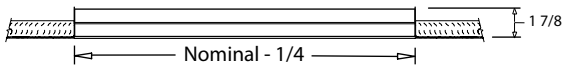
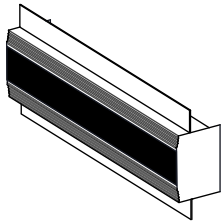


CSW Industrials Companies

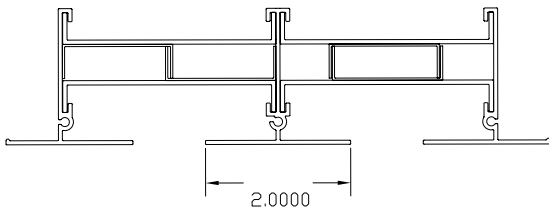
# Linear Jet Pair Diffuser Submittal

## Tape & Mud Frame – Diffuser only (Type 3)

MODEL: LJP-T3-DO



LJP-T3-DO  
TAPE AND MUD



LJP with 2 slots

### Standard Features:

- Jet pair diffuser designed for higher airflow capacity than conventional linear diffusers
- Jets airstream in a vertical direction in ceiling applications or horizontal direction in sidewall applications
- Tape & Mud flange for frameless and flush installation
- Minimum length 12"
- Unlimited continuous sections available with butt joints
- Soft White

### Manufacturing Requirements:

Length \_\_\_\_\_ feet \_\_\_\_\_ inches

Supply – Adjustable split 2-piece Jet Pair controllers for directional air volume control (LJP-T3-S)

Return – less controller (LJP-T3-R)

Number of slots: 1 2

Slot Width: 1" 1 1/2" 2" 2 1/2" 3"

### Options:

90° Mitered corners

### Finishes: For LJP with 1 Slot, only Soft White and Mill Finish is an available finish.

#### STANDARD COLORS

- Soft White
- Driftwood Tan
- Mill Finish

#### DESIGNER COLORS

- Black
- Bronze
- Storm Gray
- Cement Gray

- Aluminum Paint
- Coffee Tan
- Warm White
- Glossy White

#### Dimensions (in inches)

# OF SLOTS	SLOT WIDTH (A)	OVERALL WIDTH (B)	WIDTH OF BACK (C)	OPENING WIDTH (E)
1	1	5 1/2	3 1/2	3 1/8
	1 1/2	6	4	3 5/8
	2	6 1/2	4 1/2	4 1/8
	2 1/2	7	5	4 5/8
	3	7 1/2	5 1/2	5 1/8
2	1	8 1/2	6 1/2	6 1/8
	1 1/2	9 1/2	7 1/2	7 1/8
	2	10 1/2	8 1/2	8 1/8
	2 1/2	11 1/2	9 1/2	9 1/8
	3	12 1/2	10 1/2	10 1/8

Note ID lengths 1/4" undersized nominal

### Additional Information:

### Submittal Notes

Project / Location:

Engineer:

Architect:

Contractor:

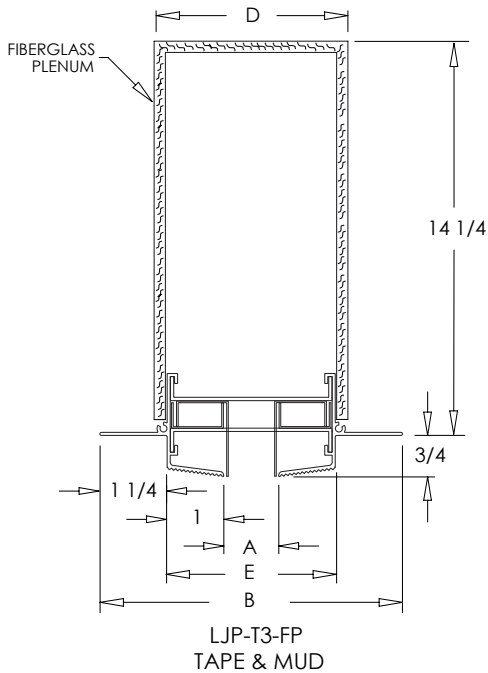
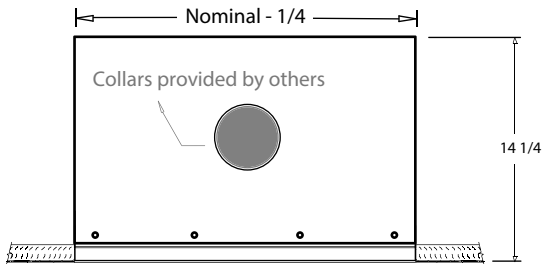
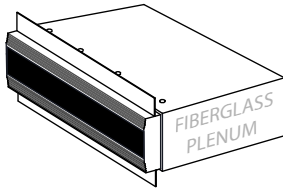


CSW Industrials Companies

# Linear Jet Pair Diffuser Submittal

## Tape & Mud Frame with Fiberglass Plenum (Type 3)

MODEL: LJP-T3-FP



### Standard Features:

- Jet pair diffuser designed for higher airflow capacity than conventional linear diffusers
- Jets airstream in a vertical direction in ceiling applications or horizontal direction in sidewall applications
- Tape & Mud flange for frameless and flush installation
- Rigid fiberglass plenum, allows for multiple locations of field installed spin in collar (collar provided by others)
- Fiberglass plenum ships installed on diffuser
- Minimum length 12"
- Unlimited continuous sections available with butt joints
- Soft White

### Manufacturing Requirements:

Length \_\_\_\_\_ feet inches

Supply – Adjustable split 2-piece Jet Pair controllers for directional air volume control (LJP-T3-S)

Return – less controller (LJP-T3-R)

Number of slots: 1 2

Slot Width: 1" 1 1/2" 2" 2 1/2" 3"

### Options:

90° Mitered corners

### Finishes: For LJP with 1 Slot, only Soft White or Mill Finish is an available finish.

#### STANDARD COLORS

- Soft White
- Driftwood Tan
- Mill Finish

#### DESIGNER COLORS

- Black
- Bronze
- Storm Gray
- Cement Gray
- Aluminum Paint
- Coffee Tan
- Warm White
- Glossy White

#### Dimensions (in inches)

# OF SLOTS	SLOT WIDTH (A)	OVERALL WIDTH (B)	PLENUM WIDTH (D)	OPENING WIDTH (E)
1	1	5 1/2	4 1/8	3 1/8
	1 1/2	6	4 5/8	3 5/8
	2	6 1/2	5 1/8	4 1/8
	2 1/2	7	5 5/8	4 5/8
	3	7 1/2	6 1/8	5 1/8
2	1	8 1/2	7 1/8	6 1/8
	1 1/2	9 1/2	8 1/8	7 1/8
	2	10 1/2	9 1/8	8 1/8
	2 1/2	11 1/2	10 1/8	9 1/8
	3	12 1/2	11 1/8	10 1/8

Note ID lengths 1/4" undersized nominal

### Note:

The Type 3 Tape and Mud Flange is an effective and seamless mounting application for 1/2" or 5/8" drywall. Designed to create a frameless finished look. To install simply place diffuser in framed opening and screw through the flange to attach the product to the framed opening. Once secure, install sheetrock to cover flange and butt up to the frame's edges. Finish installing by taping and mudding the product and sheetrock to create the desired seamless finish.

### Additional Information:

### Submittal Notes

Project / Location:	
Engineer:	
Architect:	
Contractor:	

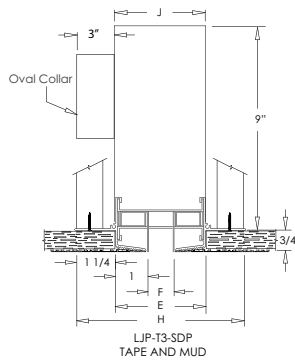
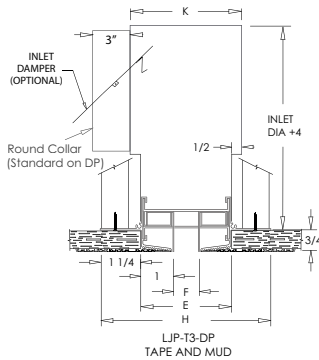
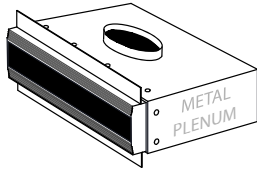


CSW Industrials Companies

# Linear Jet Pair Diffuser Submittal

## Tape & Mud Frame with Metal Plenum (Type 3)

MODEL: LJP-T3-SDP, LJP-T3-DP



### LINEAR JET PAIR DIFFUSER Standard Features:

- Jet pair diffuser designed for higher airflow capacity than conventional linear diffusers
- Jets airstream in a vertical direction in ceiling applications or horizontal direction in sidewall applications
- Tape & Mud flange for frameless and flush installation
- Minimum length 12"
- Unlimited continuous sections available with butt joints
- Soft White

### Manufacturing Requirements:

Length \_\_\_\_\_ feet \_\_\_\_\_ inches

Supply – Adjustable split 2-piece Jet Pair controllers for directional air volume control (LJP-T3-S)

Return – less controller (LJP-T3-R)

Number of slots: 1 2

Slot Width: 1" 1½" 2" 2½" 3"

### Options:

90° Mitered corners

**Finishes: For LJP with 1 Slot, only Soft White or Mill Finish is an available finish.**

Soft White

Driftwood Tan

Mill Finish

Designer Color \_\_\_\_\_

### METAL PLENUM Standard Features:

- 24 gauge galvanized steel plenum
- Minimum length 1' and maximum single piece length is 6'
- Metal plenum requires field assembly to connect to the diffuser

### Manufacturing Requirements:

Short Distribution Plenum – SDP (standard, height set at 9")

Distribution Plenum – DP (height = inlet diameter + 4")

½" fiberglass internal insulation

No insulation

Oval inlet sizes: 5" 6" 7" 8" 10" 12" 14" 16"

Round inlet sizes (SDP): 5" 6"

Round inlet sizes (DP): 5" 6" 7" 8" 10" 12" 14" 16"

No inlet (DP with no inlet will have a standard height of 14")

### Options:

Twist controlled damper

**Install Notes** Metal Plenum must be installed before the diffuser is installed. The Type 3 Tape and Mud Flange is an effective and seamless mounting application for 1/2" or 5/8" drywall. Designed to create a frameless finished look. To install simply place diffuser in framed opening and screw through the flange to attach the product to the framed opening. Once secure, install sheetrock to cover flange and butt up to the frame's edges. Finish installing by taping and mudding the product and sheetrock to create the desired seamless finish.

### Dimensions (in inches)

# OF SLOTS	SLOT WIDTH (F)	OVERALL WIDTH (H)	SDP WIDTH (J)	DP WIDTH (K)	OPENING WIDTH (E)
1	1	5 1/2	3 3/4	4 3/4	3 1/8
	1 1/2	6	4 1/4	5 1/4	3 5/8
	2	6 1/2	4 3/4	5 3/4	4 1/8
	2 1/2	7	5 1/4	6 1/4	4 5/8
2	3	7 1/2	5 3/4	6 3/4	5 1/8
	1	8 1/2	6 3/4	7 3/4	6 1/8
	1 1/2	9 1/2	7 3/4	8 3/4	7 1/8
	2	10 1/2	8 3/4	9 3/4	8 1/8
	2 1/2	11 1/2	9 3/4	10 3/4	6 1/8
3	12 1/2	10 3/4	11 3/4	10 1/8	

Note: Diffuser ID lengths 1/4" undersized nominal. Metal plenum manufactured to nominal dimensions. If duct opening is 48", plenum will be 48" and diffuser will be 47-3/4".

### Additional Information:

### Submittal Notes

Project / Location:	
Engineer:	
Architect:	
Contractor:	

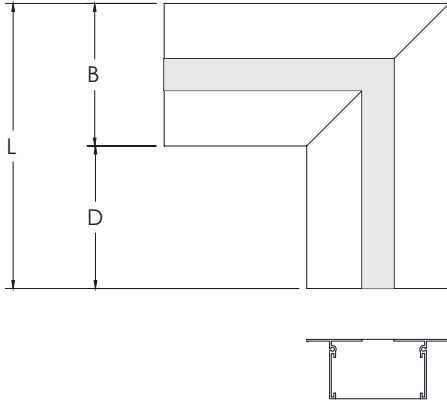


CSW Industrials Companies

# Commercial Submittal

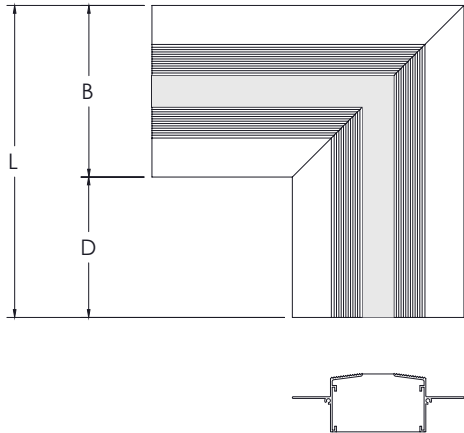
## Mitered Corner Linear Jet Bar (1 Slot Configuration)

LJP Mitered Corner  
1 Slot Types 2, 4



Dimensions (in inches)			
Type 2, 4			
SLOT WIDTH	(L)	(B)	(D)
1	9	4 1/2	4 1/2
1 1/2	9	5	4
2	9	5 1/2	3 1/2
2 1/2	9	6	3
3	9	6 1/2	2 1/2

LJP Mitered Corner  
1 Slot Type 3



Dimensions (in inches)			
Type 3			
SLOT WIDTH	(L)	(B)	(D)
1	10	5 1/2	4 1/2
1 1/2	10	6	4
2	10	6 1/2	3 1/2
2 1/2	10	7	3
3	10	7 1/2	2 1/2

### Additional Information:

### Submittal Notes

Project / Location:	
Engineer:	
Architect:	
Contractor:	

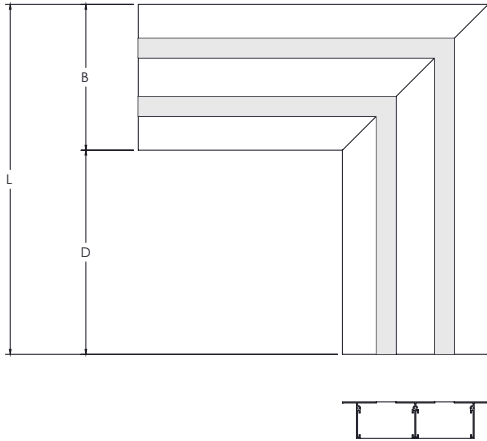


CSW Industrials Companies

# Commercial Submittal

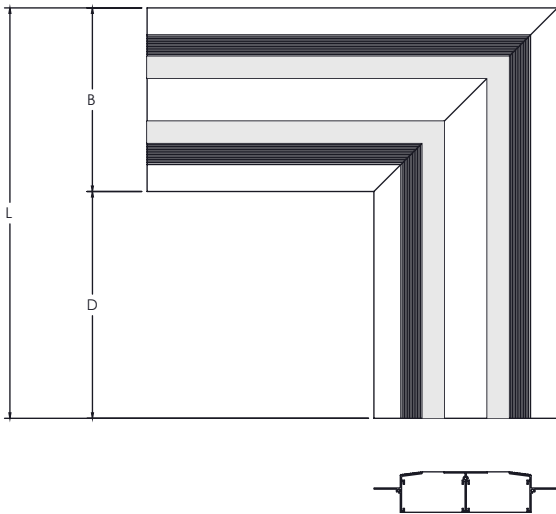
## Mitered Corner Linear Jet Bar (2 Slot Configuration)

LJP Mitered Corner  
2 Slot Types 2, 4.



Dimensions (in inches)			
Type 2, 4			
SLOT WIDTH	(L)	(B)	(D)
1	18	7 1/2	10 1/2
1 1/2	18	8 1/2	9 1/2
2	18	9 1/2	8 1/2
2 1/2	18	10 1/2	7 1/2
3	18	11 1/2	6 1/2

LJP Mitered Corner  
2 Slot Type 3



Dimensions (in inches)			
Type 3			
SLOT WIDTH	(L)	(B)	(D)
1	19	8 1/2	10 1/2
1 1/2	19	9 1/2	9 1/2
2	19	10 1/2	8 1/2
2 1/2	19	11 1/2	7 1/2
3	19	12 1/2	6 1/2

### Additional Information:

### Submittal Notes

Project / Location:

Engineer:

Architect:

Contractor: