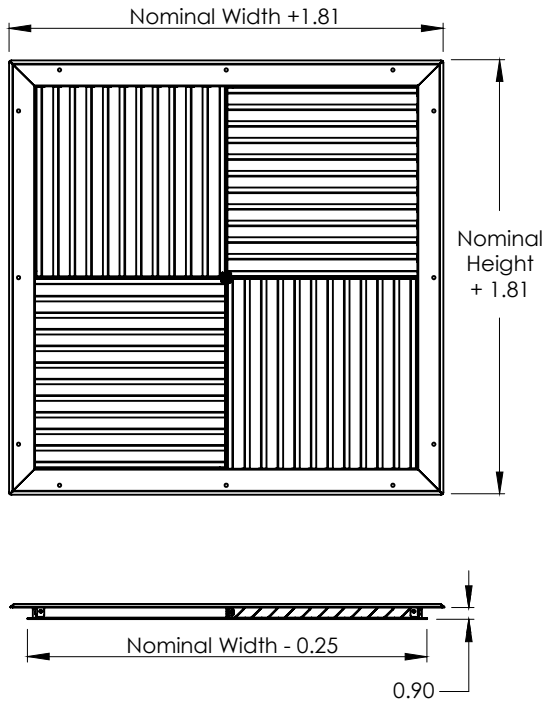


# Commercial Submittal

Stainless Steel Surface Mount Fixed Pattern Ceiling Diffuser

MODEL: MA-SS



**Standard Features:**

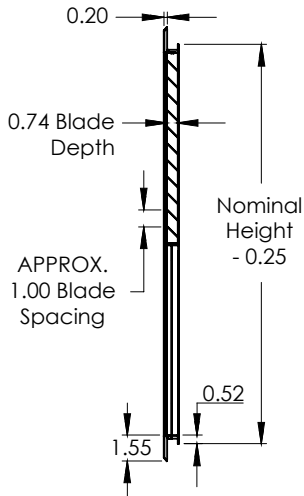
- Type 304 stainless steel
- Fixed louvered air pattern
- Five air patterns available
- Countersunk mounting holes with stainless sheet metal screws
- Satin polished finish

**Options:**

- Type 316 stainless steel
- Opposed blade damper
- Square to round transition collar
- T-Bar application
- Tamper Proof Screws – stainless steel Torx Center Pin

**Air Patterns:**

- |                |           |
|----------------|-----------|
| One Way        | Three Way |
| Two Way        | Four way  |
| Two Way Corner |           |



**Additional Information:**

**Submittal Notes**

Project / Location:	
Engineer:	
Architect:	
Contractor:	